

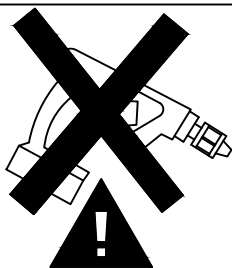
ASSEMBLY INSTRUCTION

CONSOLE TABLE WITH 4 DRAWERS

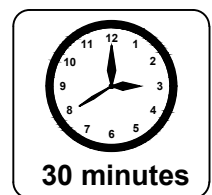
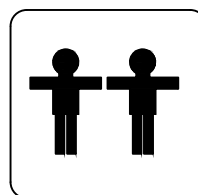


REPLACEMENT PARTS

Please do not contact the company purchased from as we can help you faster.
Order replacement parts and hardware at " www.boltonfurniture.com "

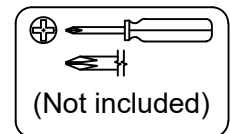
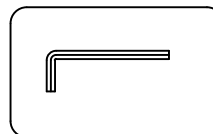


. Use of power tool to assemble this product will invalidate any claim and damage this product making it unsafe !!!
. Please assemble on a clean soft surface to avoid damage.



30 minutes

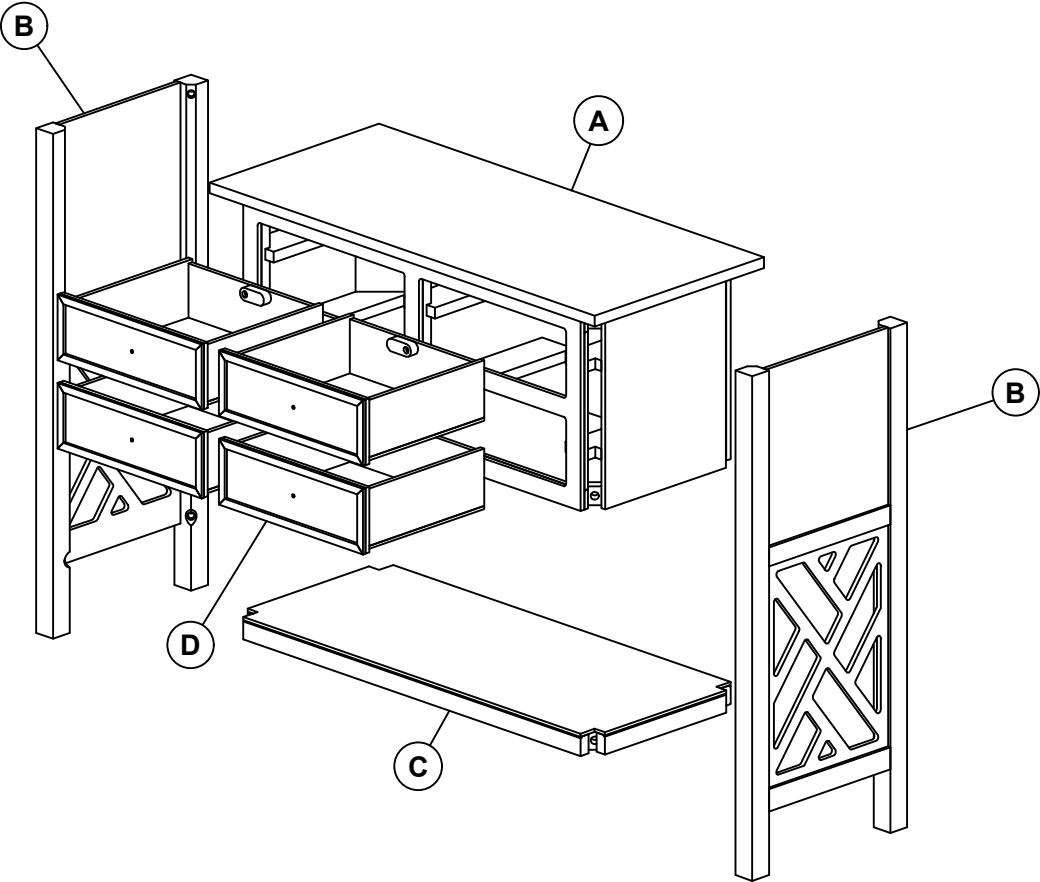
Tools Required



(Not included)

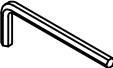
www.boltonfurniture.com


Part list - Console Table



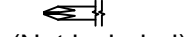
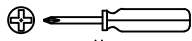
Identifying the hardware-Identify the hardware using the illustrations below

E  **12**
M6x45MM BOLT

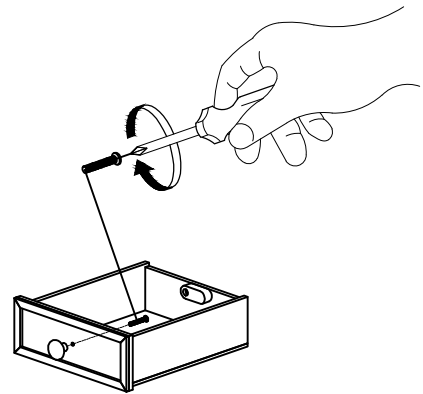
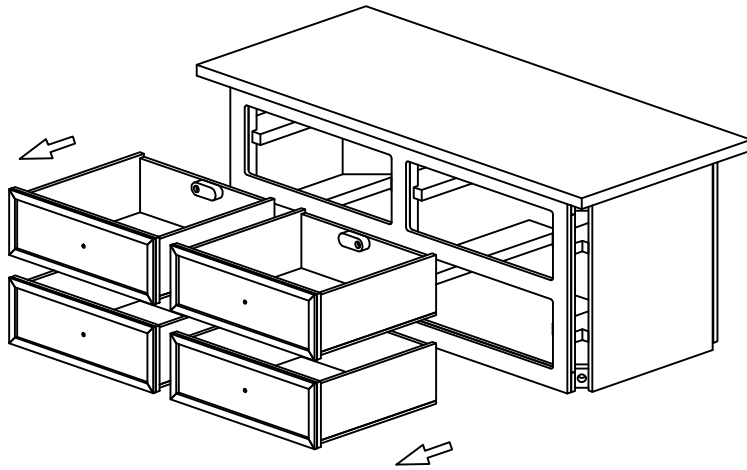
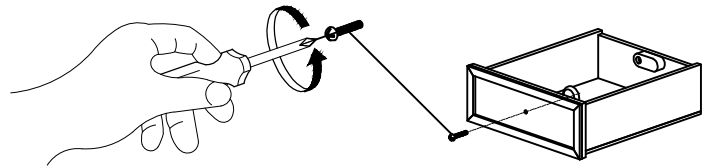
F  **01**

G  **01**
ANTI-TIP

Step 01



(Not included)



Step 02

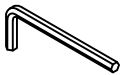
E



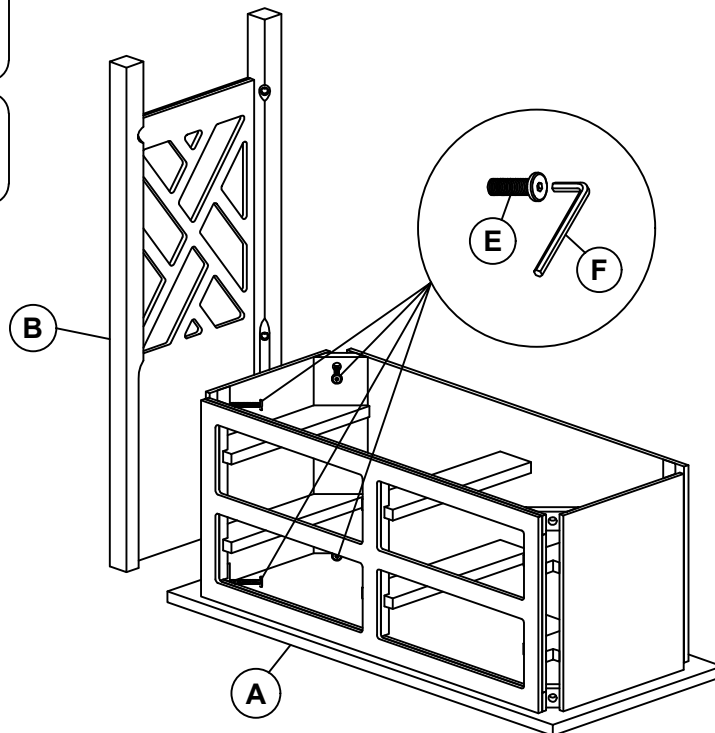
M6x45MM BOLT

08

F



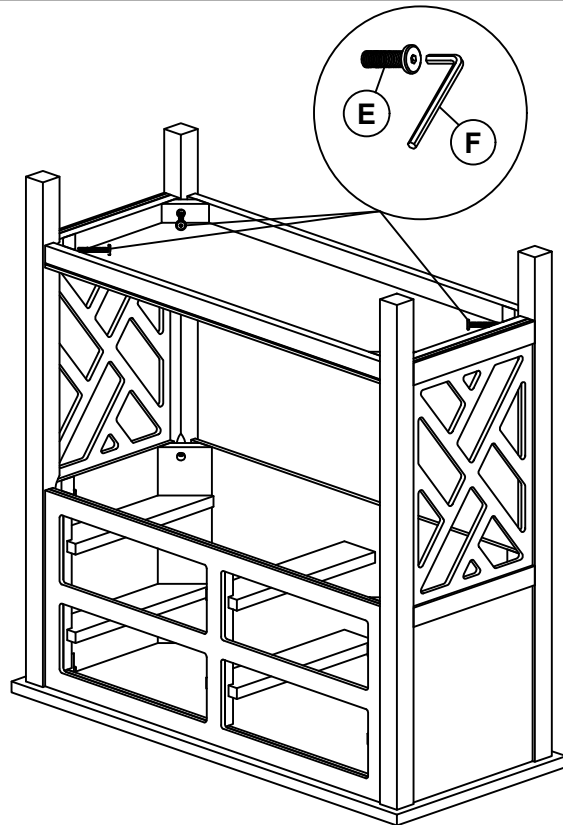
01



Step 03

E  **04**
M6x45MM BOLT

F  **01**



Step 04

